



AQUARIUS ENGINEERS PVT. LTD.

Concrete Pumps, Batching Plants, Boom Pumps

MP 60



MOBILE BATCHING PLANTS - MP SERIES

MP 30



Salient Features:

- ▶ Drive through design for increased productivity
- ▶ Mounted on re-usable precast foundations, which can be shifted to other locations easily
- ▶ Available with 0.35 cubic meter and above batch size Planetary Mixers and with 1 cubic meter and above Twin Shaft Mixers
- ▶ Deliver consistent quality concrete and are most preferred in the RMC industry
- ▶ Four Aggregate Bins with a total storage capacity of 30/50/70 cubic meter
- ▶ High precision load cells for independent electronic weighing of cement, aggregates & water with digital display
- ▶ Two-level PLC based control system with real-time SCADA for control and data management, AQ - SMART / RT - SMART
- ▶ Compact design that fits in confined spaces
- ▶ Low operation & maintenance cost
- ▶ Minimum aggregate loading height
- ▶ Robust structure with corrugated bins
- ▶ Large mixer platform for ease of maintenance
- ▶ Added safety with double wire rope for skip
- ▶ Control cabin included in standard scope

MP 21



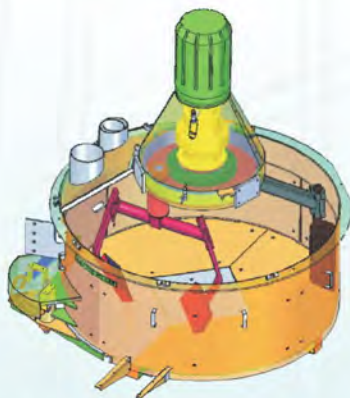
MP 60



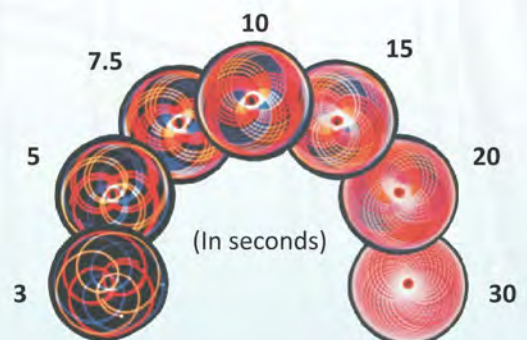
Technical Specifications:

Model Specifications	Unit	MP 21	MP 30	MP 40	MP 60	MP 70	MP 90
Type of Mixer	–	Planetary	Planetary	Planetary	Twin Shaft	Twin Shaft	Twin Shaft
Dry Fill Capacity of Mixer	l	525	750	900	1500	1800	3000
Compacted Output per Batch	l	350	500	600	1000	1250	2000
Max. No. of Aggregates	no.	4	4	4	4	4	4
Storage Capacity of Aggregate	m ³	18	30	30	50	50	70
Max. No. of Cement / Fly Ash	no.	2	3	3	4	4	4
Max. No. of Water	no.	1	1	1	2	2	2
Max. No. of Additives	no.	1	2	2	3	3	3
Aggregate Loading in Mixer	-	Skip	Skip	Skip	Skip	Skip	Skip
Connected Load#	kW	32	50	56	80	90	146
Aggregate Loading Height	m	3.6	3.7	3.7	5.1	5.3	5.4
D.G. Set Required#	kVA	50	80	80	150	150	250

Standard Configuration



AQUARIUS Planetary Mixer

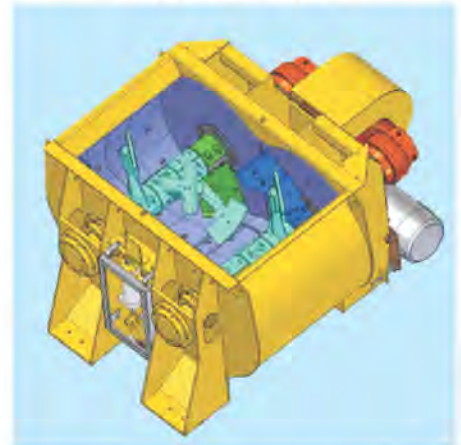


Planetary Mixing Action

Control System:

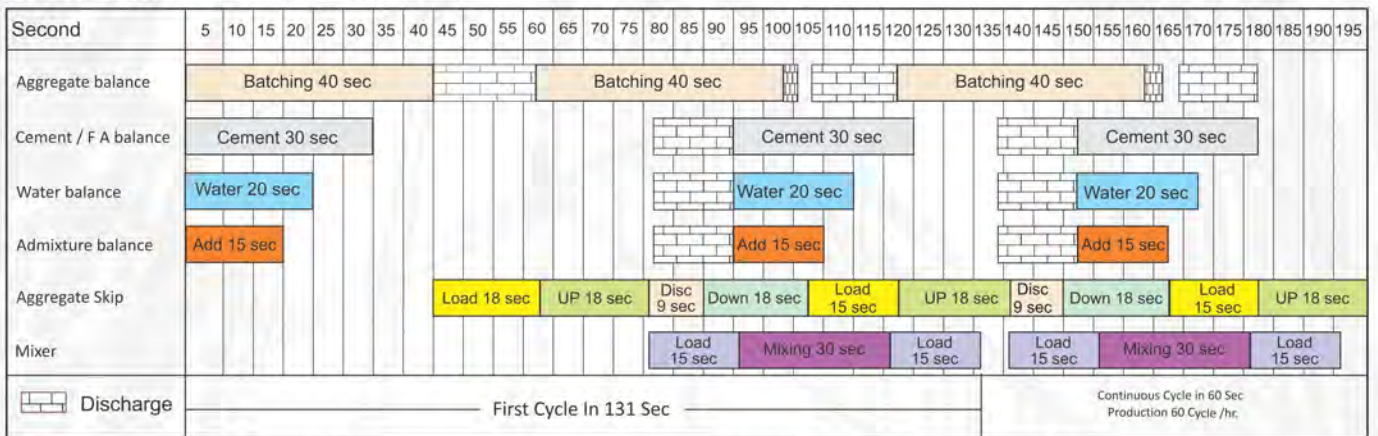
- ▶ SCADA based control systems, customized to the requirements of various segments
- ▶ Features like auto-in-flight, stock maintenance, on screen diagnosis, production data handling, automatic delivery challan and cycle data printing, etc.
- ▶ The systems are designed based on all feedbacks and requirements from various operation levels
- ▶ Computer provided as a part of standard scope

Twin Shaft Mixer



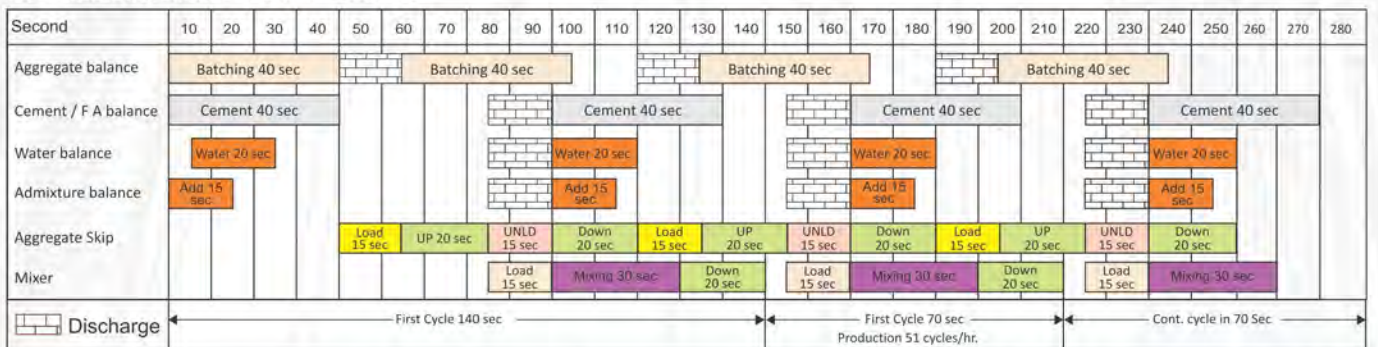
Cycle Time Charts:

MOBILE BATCHING PLANT - MP 30



NOTE: Production capacity based on 0.5 m³ cycles of standard concrete with 4 aggregates, 1 cement, 1 water, 1 admixture; slump 7-13 cms.

MOBILE BATCHING PLANT - MP 60



NOTE: Production Capacity based on 1 m³ cycles of standard concrete with 4 aggregates (Max. 2000 kg/m³), 1 Cement (Max. 300 kg/m³), 1 water (Max. 160 kg/m³) & 1 admixture (Max. 4 kg/m³), 30 sec mixing time, 20 sec discharge time normal slump 70 - 130 mm.

Performance of equipment is based on standard working conditions. Design / Specifications can be changed without prior notice.



AQUARIUS ENGINEERS PVT. LTD.

Concrete Pumps, Batching Plants, Boom Pumps
An ISO 9001 : 2015 Certified Company

'Aquarius House', Sheelavihar Colony, Off Karve Road,
Pune 411 038. INDIA Tel.: +91 20 2544 5227 / 28
E-mail: enquiries@aquariusengineers.biz
Web: www.aquariusengineers.biz

Works: S. No. 480,481 & 482, Ambadwet, Tal. Mulshi, Dist. Pune - 412 111

Local Contact: