



# **AQUARIUS ENGINEERS PVT. LTD.**

*Concrete Pumps, Batching Plants, Boom Pumps*



## **CONCRETE BOOM PUMPS**





## Salient Features:

### Slave Engine Design

- ▶ Fuel efficient, reduces per cubic meter cost
- ▶ Reduced erection & commissioning time
- ▶ Reduced installation expenses
- ▶ Enhanced service life of prime mover
- ▶ Enhanced power transmission efficiency due to direct drive



### Remote Control

- ▶ State-of-art handy & lightweight cable remote control
- ▶ Unit with all the pump & boom functions in-built
- ▶ Wireless control – optional

### Centralised Oil Lubrication System

- ▶ For selected points & also easy access, manual grease lubrication system to all points

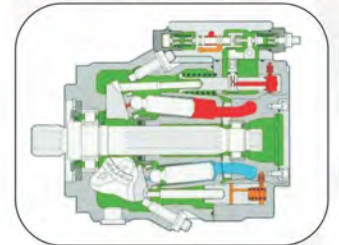
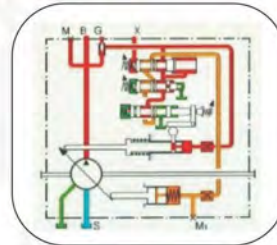
### Boom Material

- ▶ Boom made of high strength alloy steel gives maximum strength & performance and minimum weight of the structure



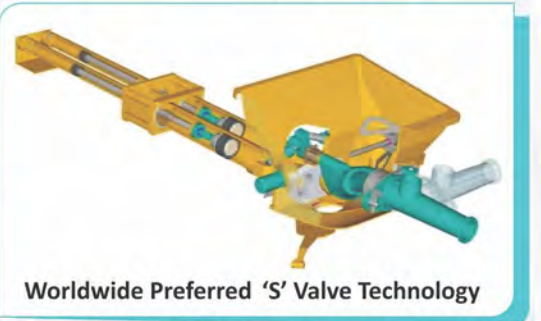
### Modular Type Boom Control Block

- ▶ Occupies less space & is adaptable to proportional boom movement
- ▶ Two-hand operation control of outriggers ensures safety in operation



### Fully Hydraulic Open Loop Control System

- ▶ The pump regulator protects the hydraulic system from overheating & engine from overloading
- ▶ The regulator also helps in output regulation & improved fuel efficiency



Worldwide Preferred 'S' Valve Technology



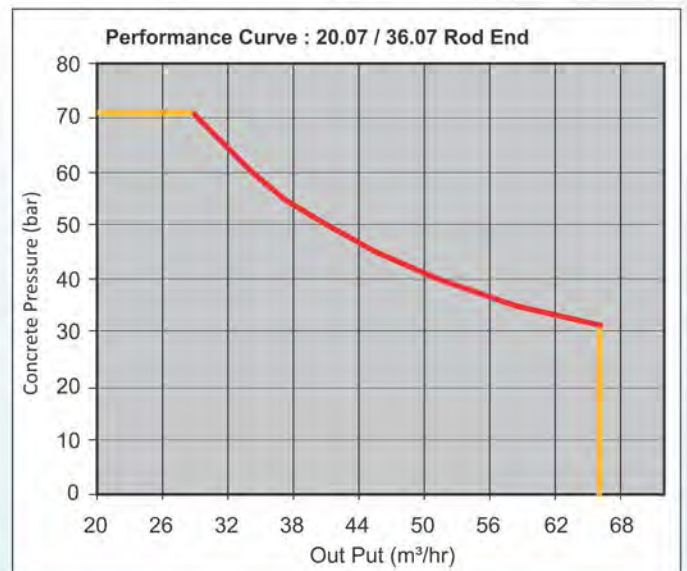
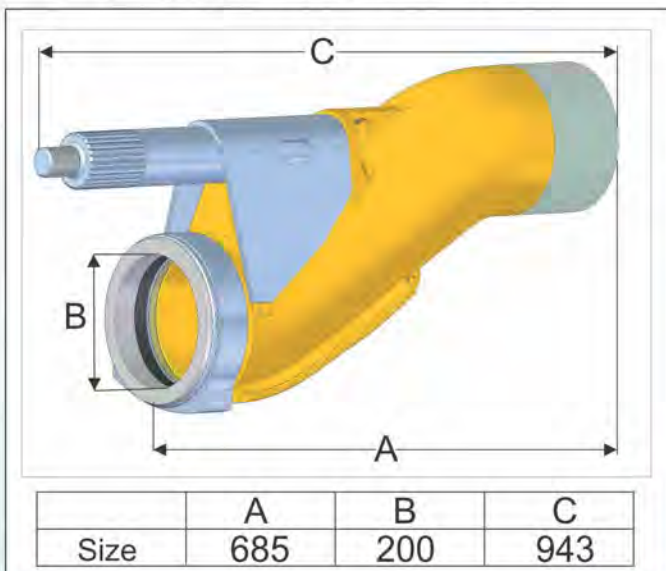


## Technical Specifications:

BOOM				
Model Specifications	Unit	20.07	36.07	36.09
Arms	no.	3	4	4
Boom Folding		Z	Z	Z
Chassis Allowable GVW	kg	16000	25000	25000
Horizontal Reach (max.)	m	16.4	31.5	31.5
Vertical Reach (max.)	m	20	35.5	35.5
Reach Depth	m	9.5	23.4	23.4
Unfolding Height	m	5.5	8.1	8.1
Slewing Range	deg	365	370	370
Delivery Line Diameter	mm	125	125	125
Length of End Hose (DN 125)	m	3	3	3
Max. Hydraulic Pressure	bar	300	300	300
Electrical System	V	24	24	24
Power Drive Slave Engine	kW	82	82	82

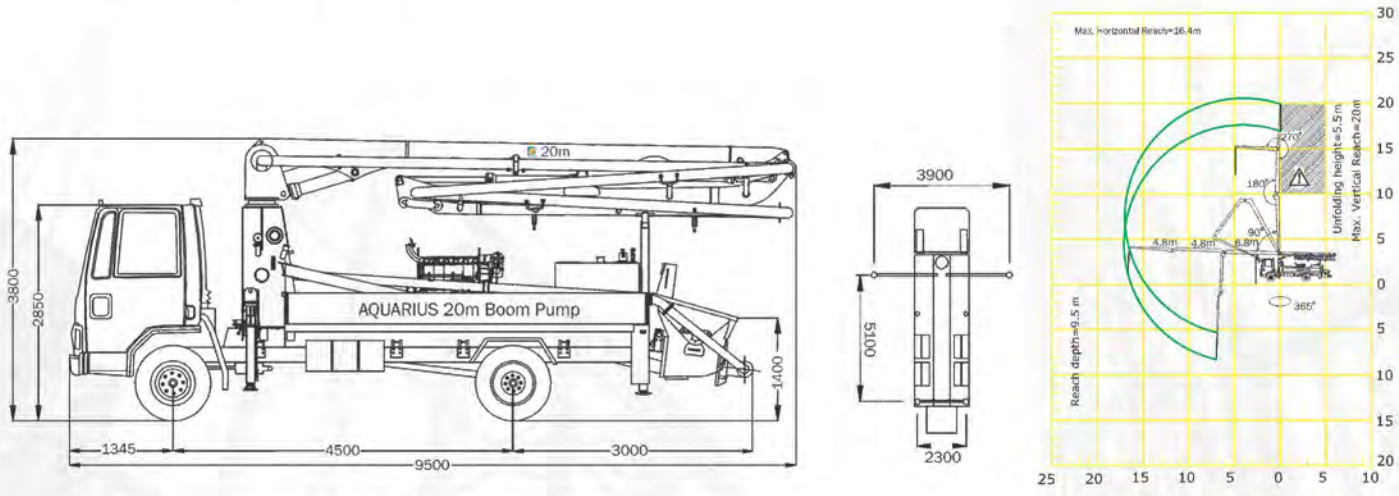
CONCRETE PUMP				
Model Specifications	Unit	20.07	36.07	36.09
Concrete Output Max. Theoretical	m <sup>3</sup> /hr	65	65	85
Concrete Pressure Max. Theoretical	bar	71	71	54
No. of Strokes/min	no.	25	25	25
Delivery Cylinder Diameter	mm	200	200	230
Piston Stroke Length	mm	1400	1400	1400
Hydraulic Transmission Ratio (Rod Side)		1:4.9	1:4.9	1:6.5
Easy Clean Hopper Capacity	l	600	600	600
Water Tank Capacity	l	420	205	205

### Largest & Longest 'S' Valve

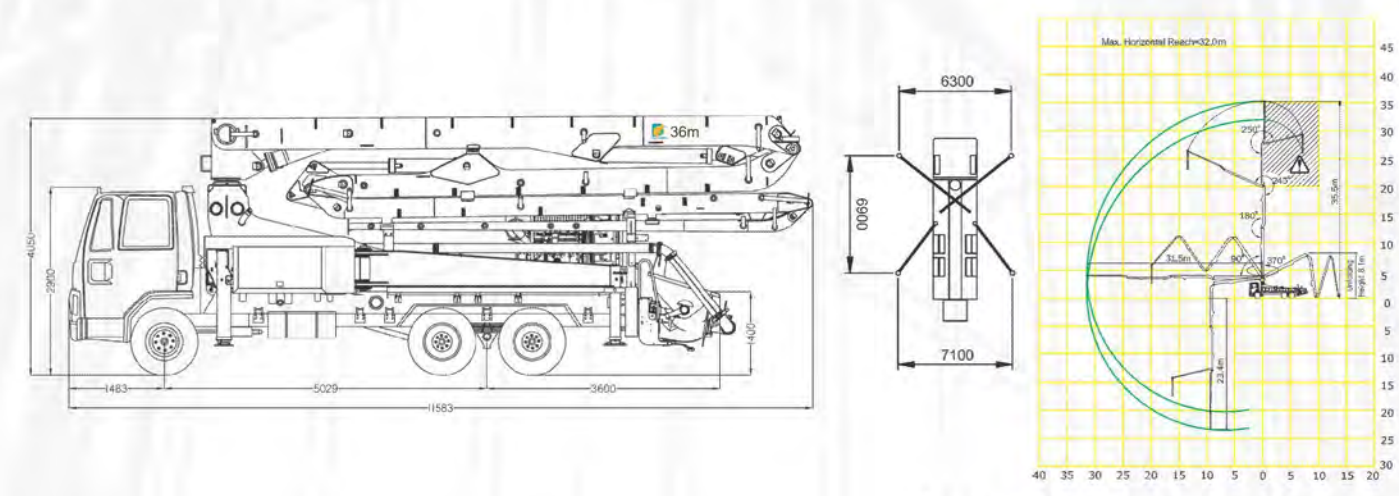


**Reach Diagram:**

**Reach Diagram 20m Boom (Z Fold)**



**Reach Diagram 36m Boom (Z Fold)**



**⚠ Range in which you must not work with the end hose.**

Performance of equipment is based on standard working conditions. Design / Specifications can be changed without prior notice.



**AQUARIUS ENGINEERS PVT. LTD.**  
*Concrete Pumps, Batching Plants, Boom Pumps*  
 An ISO 9001 : 2015 Certified Company

'Aquarius House', Sheelavihar Colony, Off Karve Road,  
 Pune 411 038. INDIA Tel.: +91 20 2544 5227 / 28  
 E-mail: [enquiries@aquariusengineers.biz](mailto:enquiries@aquariusengineers.biz)  
 Web: [www.aquariusengineers.biz](http://www.aquariusengineers.biz)

Mfg. by: Putzmeister India Pvt. Ltd.  
 190, 191, Kundaim Industrial Estate, Kundaim, Goa 403 115. India

**Local Contact:**