



# AQUARIUS ENGINEERS PVT. LTD.

Concrete Pumps, Batching Plants, Boom Pumps



## STATIONARY CONCRETE PUMPS - 700 SERIES



### Salient Features:

- ▶ New futuristic look with latest design
- ▶ Completely redesigned with many operation friendly features
- ▶ Substantial noise reduction
- ▶ Maximum vertical/horizontal pumping distance in this class
- ▶ Most fuel-efficient series
- ▶ Very reliable equipment with long routine maintenance intervals
- ▶ Safe water-cleaning system
- ▶ Compact design and least towing length
- ▶ Very effective reverse pumping
- ▶ Infinitely variable concrete output, from minimum to maximum
- ▶ Centralized greasing points
- ▶ Uninterrupted operations even if electrical system malfunctions
- ▶ Innovative flap straight design with cleaning socket
- ▶ Standardized core pump, reducing spares inventory costs

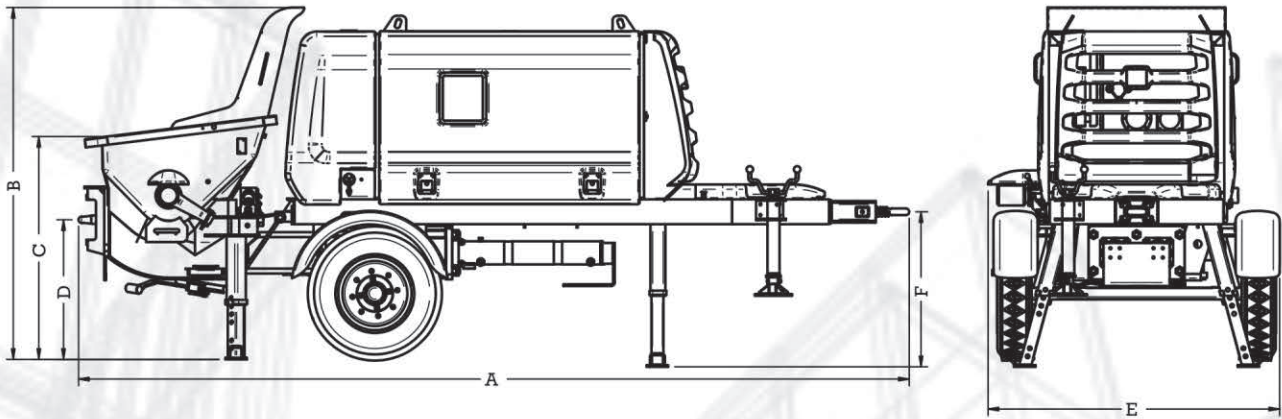
### Added Features:

- ▶ Higher Capacity jack
- ▶ Foot rest for hopper
- ▶ Gas springs and locks for canopy
- ▶ Shifting cylinder cover for better safety
- ▶ Grill provided for engine cover
- ▶ Built-in toolbox
- ▶ Efficient splash guard design
- ▶ Mudguard on tyre
- ▶ Engine & Pump hour meters
- ▶ Remote control



Worldwide Preferred 'S' Valve Technology

## Technical Specifications:



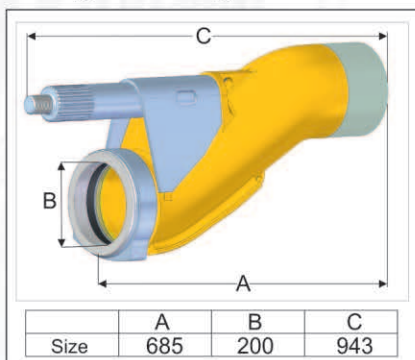
MODEL	A	B	C	D	E	F
700 SERIES	5015	2125	1330	845	1760	890

Model Specifications		Unit	703 D	703 E
Prime Mover		kW	34.6	37
Theoretical Output		m <sup>3</sup> /hr	30	23
Del. Cylinder Diameter		mm	200	200
Del. Cylinder Stroke		mm	700	700
No. of Strokes		per min	22	17
Hydraulic Transmission		--	1:3.3	1:3.3
Concrete Pressure		bar	65	76
Concrete Hopper Capacity		l	500	500
Delivery Distance**	Horizontal	m	320	320
	Vertical	m	80	80

\*\*Distances to be read as either horizontal or vertical. The concrete should be pumpable & follows DIN 1045 standard.



### Largest & Longest 'S' Valve



### Variable Output Regulator



### Cylinder Diameter Comparison

#### AQUARIUS

#### Concrete Pumps



#### Other

#### Concrete Pumps



Aquarius Pump Cylinders have larger area than others by 23.5%

Performance of equipment is based on standard working conditions. Design / Specifications can be changed without prior notice.



## AQUARIUS ENGINEERS PVT. LTD.

Concrete Pumps, Batching Plants, Boom Pumps

'Aquarius House', Sheelavihar Colony, Off Karve Road,  
Pune 411 038. INDIA Tel.: +91 20 2544 5227 Fax: +91 20 2544 5228  
E-mail: [enquiries@aquariusengineers.biz](mailto:enquiries@aquariusengineers.biz)  
Web: [www.aquariusengineers.biz](http://www.aquariusengineers.biz)

Mfg. by: Putzmeister India Pvt. Ltd.  
190, 191, Kundaim Industrial Estate, Kundaim, Goa 403 115. India

Local Contact: