



AQUARIUS ENGINEERS PVT. LTD.

Concrete Pumps, Batching Plants, Boom Pumps



CONCRETE BOOM PUMP - 43CX-5



Salient Features:

Main Features

- ▶ Front diagonal outrigger
- ▶ Rear swing outrigger
- ▶ Closed loop hydraulic system
- ▶ Tungsten carbide wear parts
- ▶ Cable remote control and cable
- ▶ Cover for Hopper
- ▶ Support pad for outrigger

Boom

- ▶ 5 section RZ folding boom
- ▶ Boom made of high strength alloy steel gives maximum strength & performance and minimum weight of the structure

Remote Control

- ▶ State-of-art handy & lightweight cable remote control
- ▶ Unit with all the pump & boom functions in-built
- ▶ Wireless control – optional

Centralised Lubrication System

- ▶ For selected points & also easy access, manual grease lubrication system to all points

Modular Type Boom Control Block

- ▶ Occupies less space & is adaptable to proportional boom movement
- ▶ Two-hand operation control of outriggers ensures safety in operation

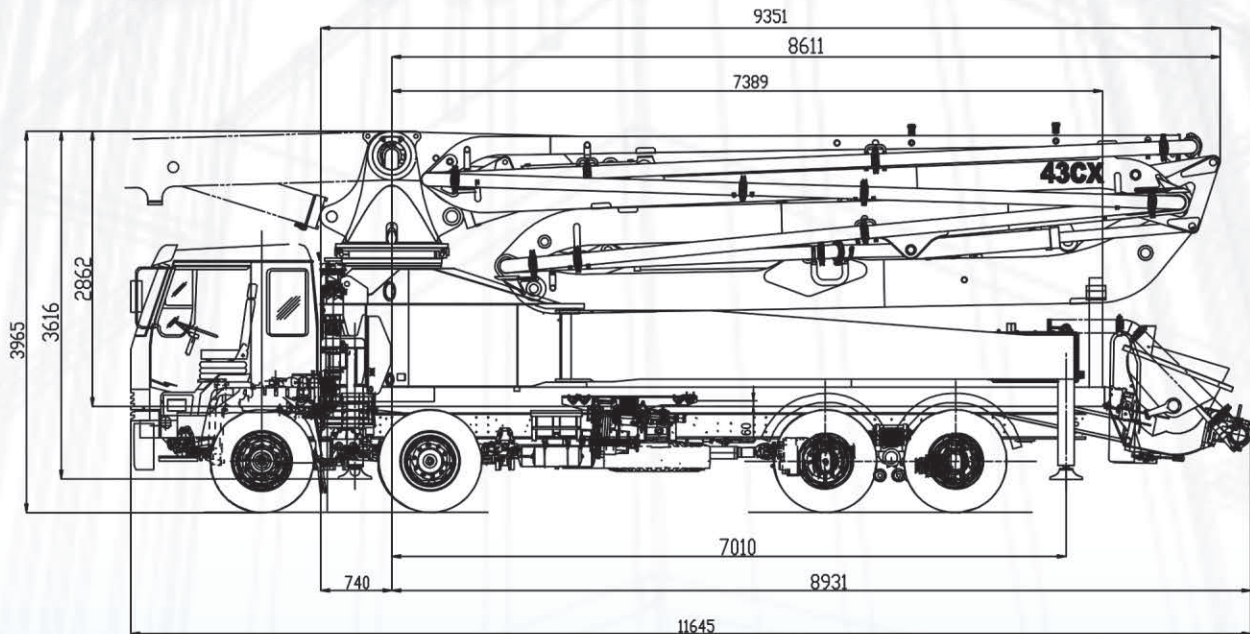
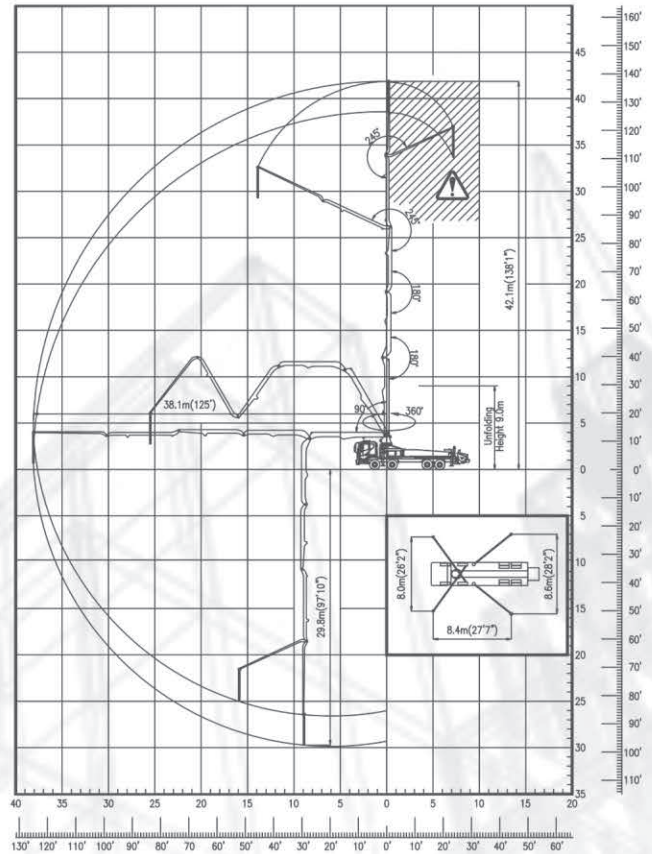
Technical Specifications:

BOOM

Model Specifications	Unit	43.09
Arms	no.	5
Boom Folding		RZ
Chassis Allowable GVW	kg	31000
Horizontal Reach (max.)	m	38.1
Vertical Reach (max.)	m	42.1
Reach Depth	m	29.8
Max. Support Leg Force: Front	kN	230
Max. Support Leg Force: Rear	kN	180
Unfolding Height	m	9
Slewing Range	deg	360
Delivery Line Diameter	mm	125
Length of End Hose (dn 125)	m	3
Max. Hydraulic Pressure	bar	300
Electrical System	V	24

CONCRETE PUMP

Model Specifications	Unit	43.09
Concrete Output Max. Theoretical	m ³ /hr	90
Concrete Pressure Max. Theoretical	bar	70
No. of Strokes / Min	no.	33
Delivery Cylinder Diameter	mm	200
Piston Stroke Length	mm	1400
Hyd. Transmission Ratio (Rod Side)		1:4.9
Easy Clean Hopper Capacity	l	600
Water Tank Capacity	l	500



Note: All Dimensions are in mm, unless specified otherwise.

Performance of equipment is based on standard working conditions. Design / Specifications can be changed without prior notice.



AQUARIUS ENGINEERS PVT. LTD.

Concrete Pumps, Batching Plants, Boom Pumps

'Aquarius House', Sheelavihar Colony, Off Karve Road,
Pune 411 038. INDIA Tel.: +91 20 2544 5227 Fax: +91 20 2544 5228
E-mail: enquiries@aquariusengineers.biz
Web: www.aquariusengineers.biz

Mfg. by: Putzmeister India Pvt. Ltd.
190, 191, Kundaim Industrial Estate, Kundaim, Goa 403 115. India

Local Contact: